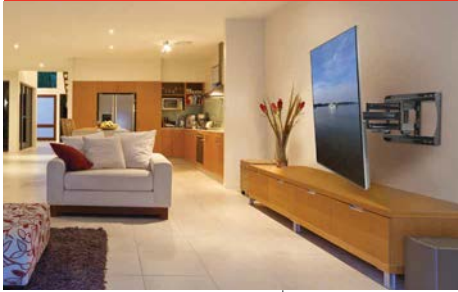


PA762



Mounting Pattern
600 x 400mm
(23.62" x 15.75")



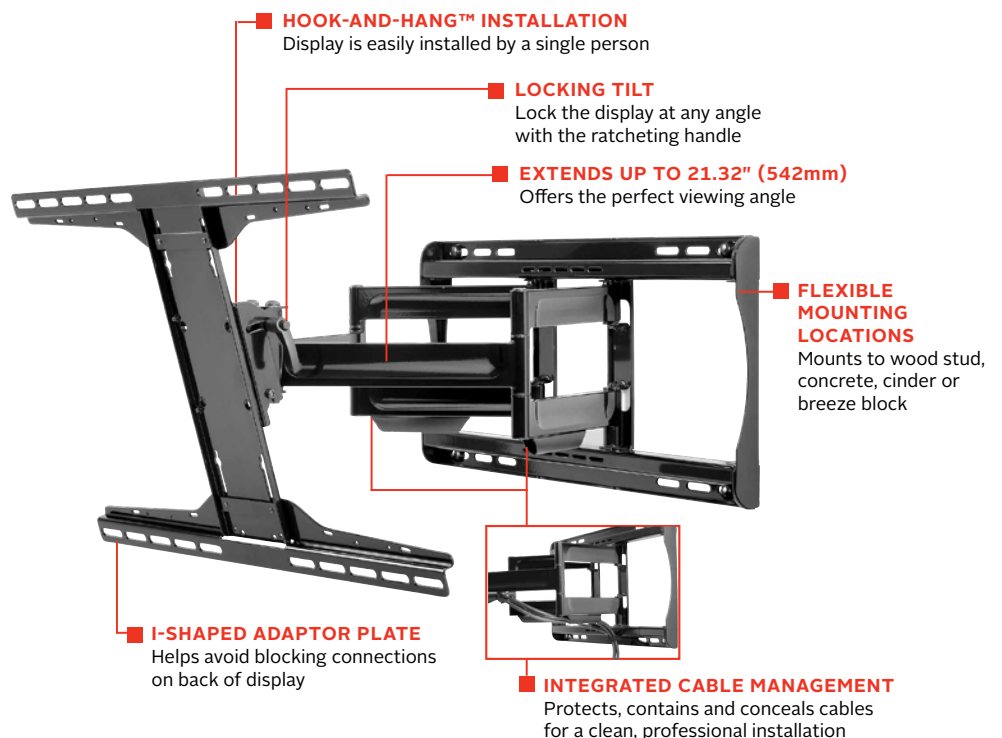
Max Load
150lb
(68kg)

PARAMOUNT™ Articulating Wall Mount

FOR 39" TO 90" DISPLAYS*

The Paramount™ series wall mounts provide versatile and multi-functional features. With PA762, extend the display up to 21.32" (542mm) or fully-retract it to just 3.00" (76mm) from the wall for the perfect viewing angle. The Hook-and-Hang™ system offers easy, one-person installation of the display. A ratcheting handle provides locking tilt capability for quick adjustments to the amount of tilt, reducing glare and optimizing the viewing angle. Integrated cable management protects, contains and conceals cables for a clean installation.

- Universal mount accommodates 200 x 100 to 600 x 400mm VESA® mounting patterns
- Extends 21.32" (542mm) from the wall
- Retracts to 3.00" (76mm) to save space
- +15°/-5° of tilt for optimal viewing angles
- Up to ±90° of pivot allows for perfect display positioning
- ±5° of roll for post installation display leveling
- Includes all necessary wall and display attachment hardware
- Design is UL listed and tested to four times stated load capacity



Swivel, tilt, extend or retract the display for the perfect viewing angle.



Comes in color packaging with included installation hardware and easy to follow instructions.

*This display size range is simply a guideline for product selection. Displays larger than the screen size range may still be compatible as long as they fall within the VESA® pattern and max weight of the Peerless-AV® product.

PA762 Paramount™ Articulating Wall Mount for 39" to 90" Displays

Product Specifications

	DIMENSIONS (W x H x D)	PRODUCT WEIGHT	LOAD CAPACITY	FINISH	AVAILABLE COLORS
PA762	24.38" x 16.75" x 3.00"-21.32" (619 x 425 x 76-542mm)	21.08lb (9.56kg)	150lb (68kg)	Scratch Resistant Fused Epoxy	Gloss Black

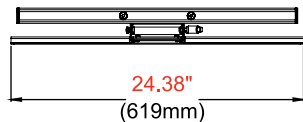
Package Specifications

	PACKAGE SIZE (W x H x D)	PACKAGE SHIP WEIGHT	PACKAGE UPC CODE	PACKAGE CONTENTS	UNITS IN PACKAGE
PA762	27.31" x 3.50" x 16.50" (694 x 89 x 419mm)	24.40lb (11.07kg)	735029304890	Wall Mount, Wall and Display Installation Hardware, Installation Instructions	1

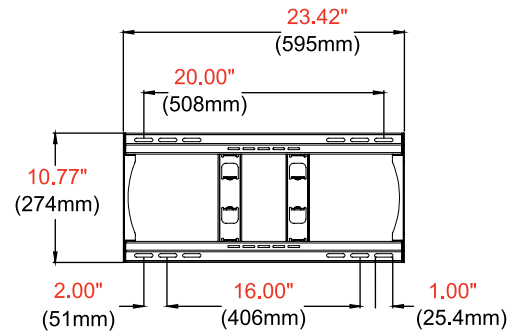
Accessories

- ACC-UCM: Universal AV Component Mount
- ESHV models: AV Wall Shelves
- WSP756: Metal Stud Wall Plate

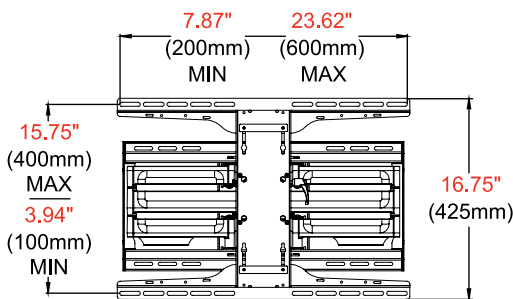
All dimensions = inch (mm)



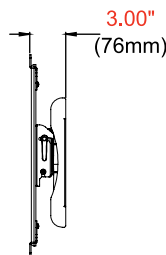
TOP VIEW



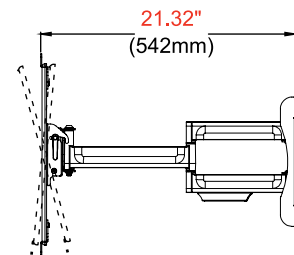
WALL PLATE DETAIL



FRONT VIEW



SIDE VIEW COLLAPSED



SIDE VIEW EXTENDED +15°/-5 TILT

Architect Specifications

The Paramount™ Articulating Wall Mount shall be a Peerless-AV model PA762 and shall be located where indicated on the plans. Assembly and installation shall be done according to instructions provided by the manufacturer.



Contact a Connection Account Manager for more information.
1.800.800.0014 ■ www.connection.com/ConferenceRoomTech

